

DS-D5B65RB/EL 65-inch 4K Interactive Display



- UHD 4K display with resolution of 3840 × 2160.
- Anti-glare and anti-blocking design to ensure smooth interaction.
- Dual systems of Android and Windows (optional) saving cost and easy to use, video conference software are recommended to run under Windows system.
- Quick response, at most 40-point touch controls and smooth writing experience.
- Multi-button design in front, convenient for classroom use.

▪ Specification

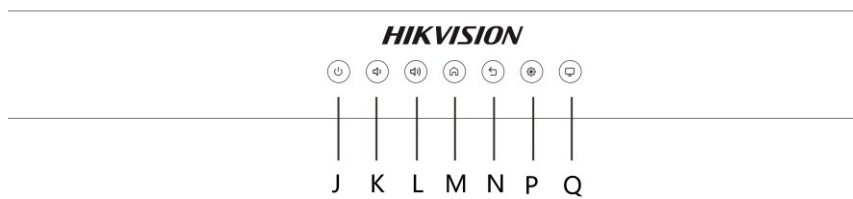
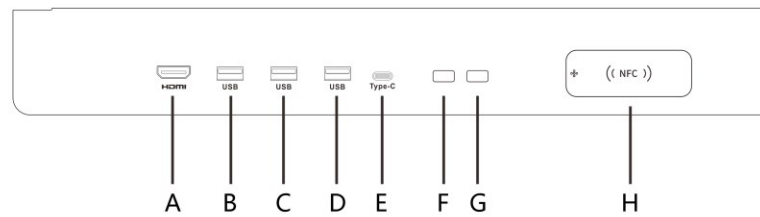
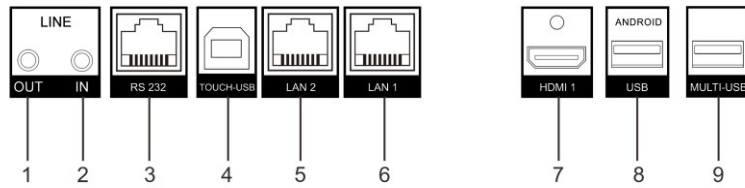
| Product Model | |
|----------------------|---------------------------------------|
| Product Model | DS-D5B65RB/EL |
| Display | |
| Screen Size | 65 inch |
| Backlight | DLED |
| Pixel Pitch | 0.124 (H) × 0.372 (V) mm |
| Resolution | 3840 × 2160 @60 Hz |
| Brightness | 400 cd/m ² (Typ.) |
| Color Depth | 10 bit |
| Display Color | 1.07G |
| Response Time | 8ms |
| Panel Type | VA |
| Contrast Ratio | 5000:1 (Static) 30,000:1 (Dynamic) |
| Color Gamut | 72% NTSC (CIE1931) (Typ.) |
| Refresh Rate | 60 Hz |
| Viewing Angle | 178°(H)/178°(V) |
| Aspect Ratio | 16:9 |
| Surface Haze | 25% Haze |
| Display Area | 1428.48 mm × 803.52 mm |
| Working Duration | 7 × 16H |
| Surface Hardness | 9H |
| Surface Glass | 3.2 mm Anti-Glare Glass |
| Transmittance | 88% ± 3 |
| Lifespan | 50,000 hours |
| Touch | |
| Type | Infrared Touch Screen |
| Touch Point | 40-point multi-touch |
| Touch Response Time | < 5 ms |
| Minimum Touch Object | ≥ 2 mm |
| Touch Precision | ± 1 mm (≥ 90% touching area) |
| Touch Resolution | 32768 × 32768 |
| Built-in System | |
| Operation System | Android 13.0 |
| Memory | 8 GB |
| Built-in Storage | 64 GB |
| CPU | Cortex-A55 × 4 (1.92GHz) |
| HDCP Version | Support 1.4/2.2/2.3 |
| GPU | Mali-G52 MP2 (2EE) |
| Internal Function | |
| Loudspeaker | Built-in 2 × 20 W |
| Speaker Frequency | 200-20KHz |

| | |
|--------------------------------|---|
| Bluetooth | Built-in BLE (Bluetooth Low Energy) module supports Bluetooth 5.2 |
| NFC | Support card reader |
| Light Sensor | Yes |
| Interface | |
| Video & Audio Input | HDMI In (HDMI 2.0) × 2, Audio In × 1 |
| Video & Audio Output | Audio Out × 1 |
| Control Interface | TOUCH-USB 2.0 × 1, RS232 × 1 |
| Network Interface | LAN (100 Mbps) × 2 WIFI AP&Station, 2.4G/5G WIFI AP: IEEE 802.11 a/b/g/n/ac 2 × 2 MIMO (2.4 GHz and 5 GHz) authentication protocols WEP, WPA, WPA2, PSK and 802.1X EAP WIFI Station: IEEE 802.11 a/b/g/n/ac 1 × 1 MIMO (2.4 GHz and 5 GHz) authentication protocols WEP, WPA, WPA2, PSK and 802.1X EAP |
| Data Transmission Interface | USB 3.0 × 3, USB 2.0 × 2, Type-C × 1 (Type-C supports USB 2.0) |
| Power | |
| Power Supply | 100 to 240 VAC, 50/60 Hz |
| Standby Consumption | ≤ 0.5 W |
| Max. Consumption | 184 W |
| Average Consumption | 153 W |
| General | |
| Product Dimensions | 1491.88 mm × 901.59 mm × 82.3 mm |
| Package Dimensions (W × H × D) | 1662 mm × 1062 mm × 223 mm |
| VESA | 600 mm × 400 mm (4 × M8-25 mm) |
| Net Weight | 31.2 kg |
| Gross Weight | 45.6 kg |
| Accessory | Wall mount bracket, hook, user manual, stylus × 2, packing list, 1.5 m power cable (European standard), remote controller |
| Working Environment | |
| Working Temperature | 0 °C to 40 °C (32 °F to 104°F) |
| Working Humidity | 10%~90% RH |

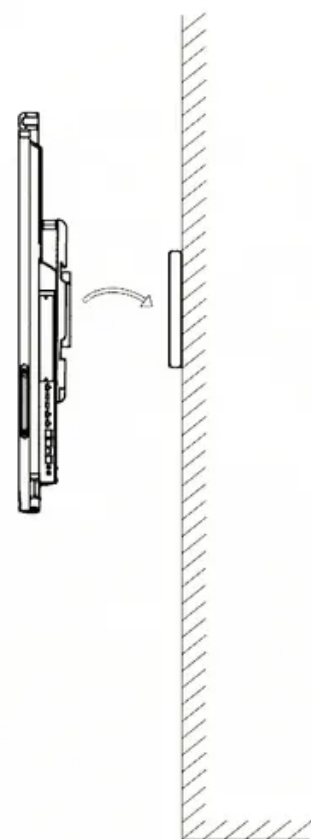
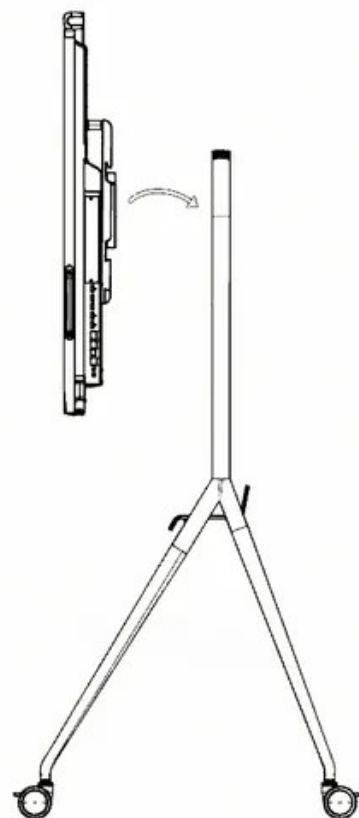
▪ Physical Interface

| Interface | Description | Interface | Description |
|---------------|----------------------------|-----------|---------------------|
| 1.Line OUT | Audio output interface | E.Type-C | Type-C interface |
| 2.Line IN | Audio input interface | F. | Light sensor |
| 3.RS 232 | Serial port interface | G. | Remote-control unit |
| 4.TOUCH-USB | Peripheral touch interface | H. | NFC area |
| 5.LAN 2 | LAN 2 interface | J. | Power Key |
| 6.LAN 1 | LAN 1 interface | K. | Volume - |
| 7.HDMI IN 1 | HDMI 1 input interface | L. | Volume + |
| 8.ANDROID USB | Android USB interface | M. | Android host menu |
| 9.MULTI-USB | Multi-functional USB | N. | Return |

| | | | |
|--------|--------------------------------|----|--------------|
| | interface | | |
| A.HDMI | HDMI input interface | P. | Control menu |
| B.USB | Multi-functional USB interface | Q. | PC shutdown |
| C.USB | Multi-functional USB interface | | |
| D.USB | Multi-functional USB interface | | |



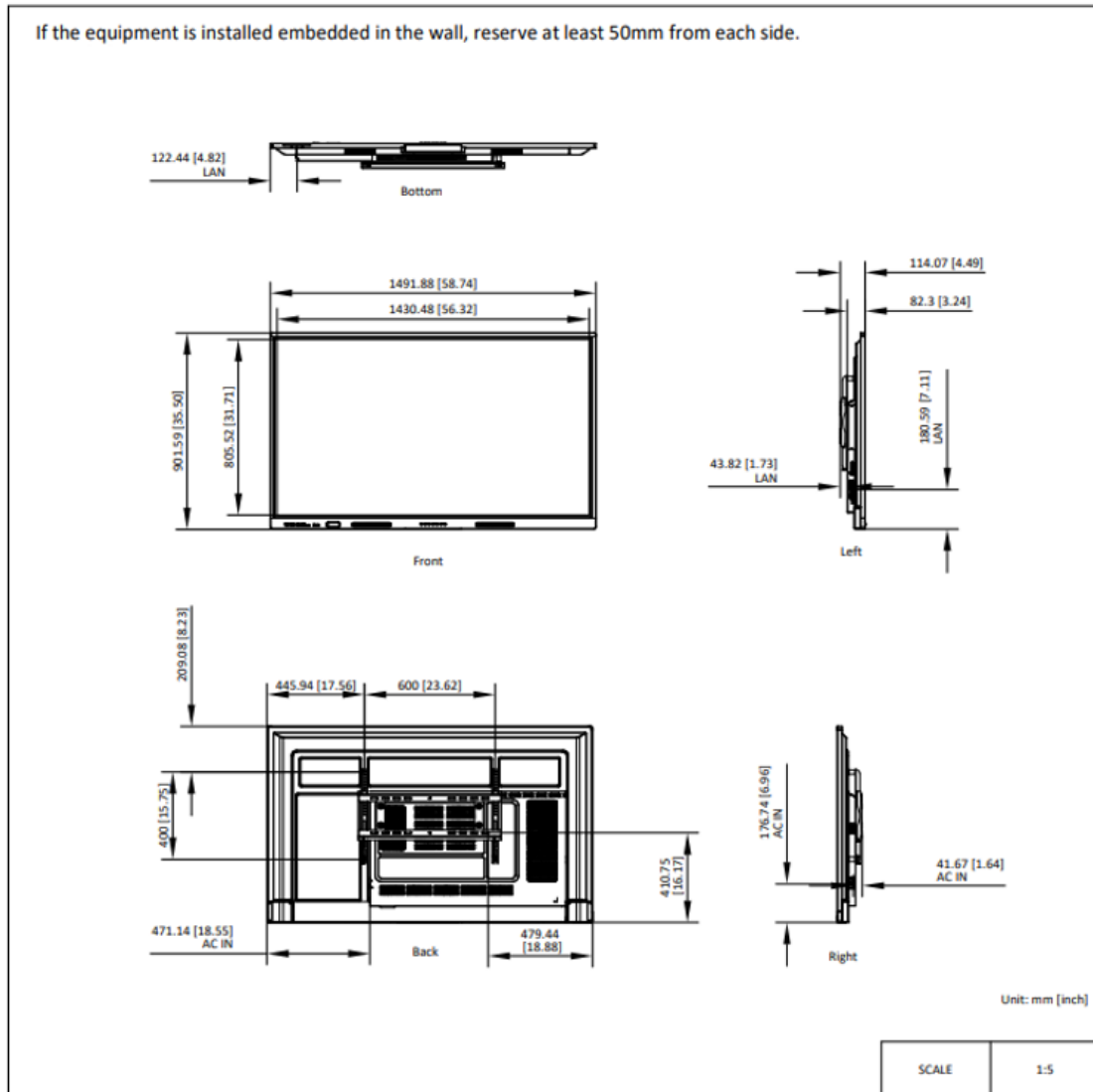
▪ **Installation**

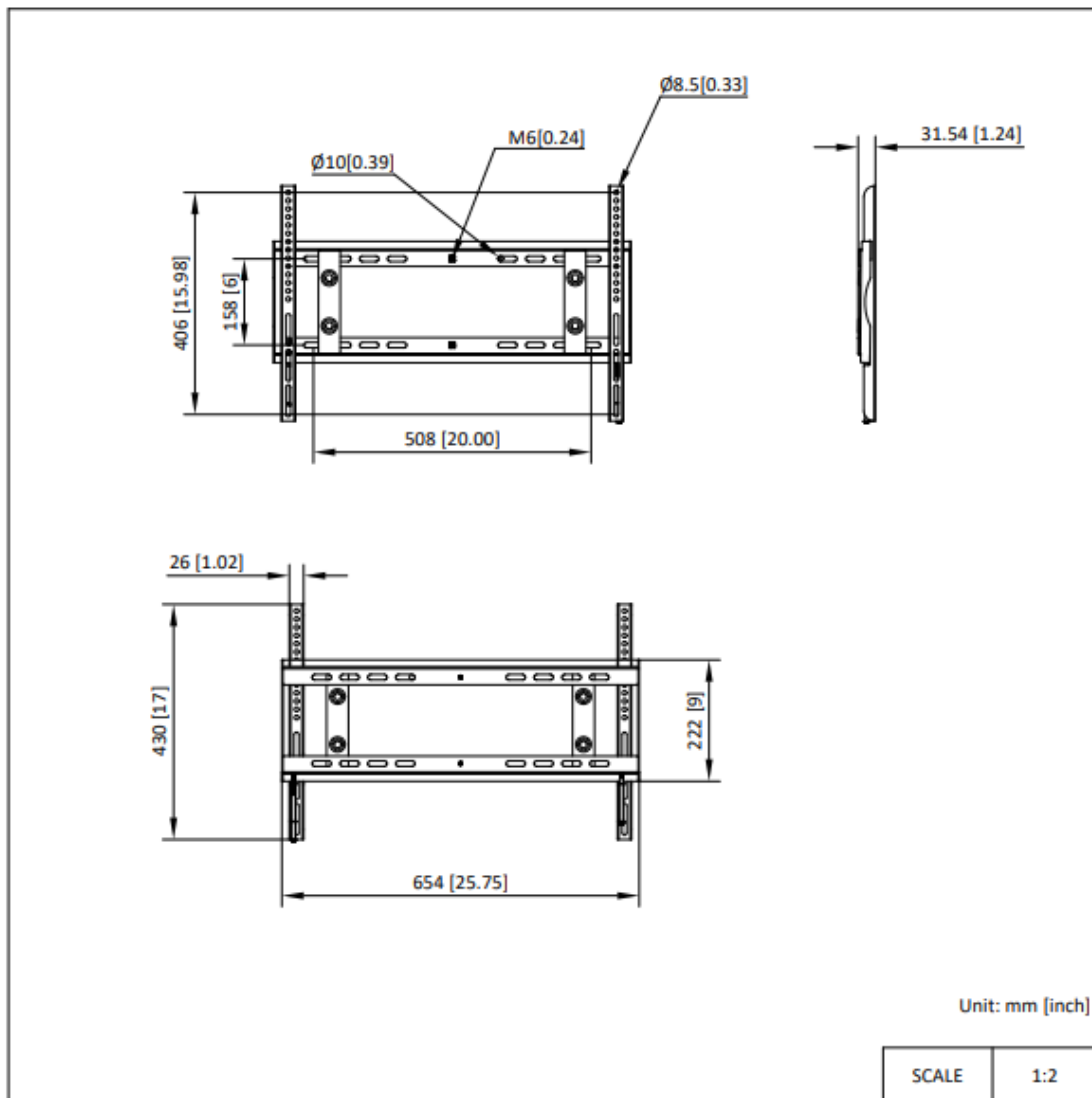


▪ **Available Model**

DS-D5B65RB/EL

▪ Dimension





▪ **Accessory**

▪ **Optional**

DS-D5ABKY2-S

55-65-75"

Conference Flat

Panel Brackets

DS-D5SC3B-B

Wireless Dongle

DS-D5SC3B-W

Wireless Dongle



Headquarters

No.555 Qianmo Road, Binjiang District,
Hangzhou 310051, China
T +86-571-8807-5998
www.hikvision.com



Follow us on social media to get the latest product and solution information.

